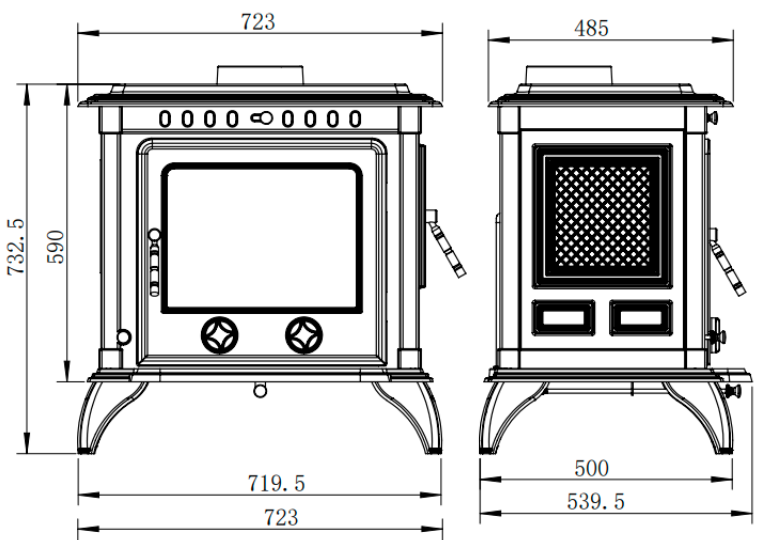


SM08

The SM08 is truly impressive, combining design excellence with extraordinary heat output. With its enormous combustion chamber capable of reaching up to 18KW, it's a powerhouse of warmth perfect for large open living spaces. Weighing over 200 Kg, it's a sturdy and substantial unit, reflecting its robust capabilities. Despite its size and power, it still maintains the classic stove design, ensuring it complements any decor in spacious living areas. It's a statement piece that not only provides warmth but also adds grandeur to its surroundings.

Rear Outlet Available



	14-18KW
	130-210m ³
	201kg
	723mm
	727mm
	540mm
	150mm

The SM08 continues the tradition of excellence with its advanced air intake system, including a third intake through the ashpan, ensuring optimal combustion for its impressive 18KW output. The preheated primary air and secondary air functions contribute to its remarkable efficiency rating of 79% and low CO2 emissions of 0.12%, making it both environmentally friendly and cost-effective to operate. The inclusion of a rear outlet and shaker grate enhances its functionality and ease of maintenance. Additionally, the side door feature facilitates convenient refueling and cleaning of the unit, adding to its user-friendly design.