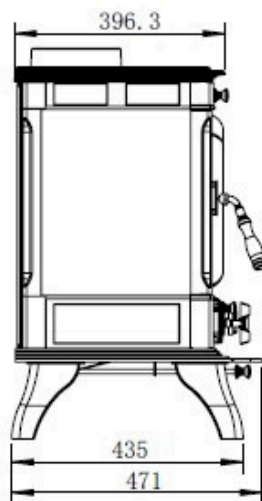
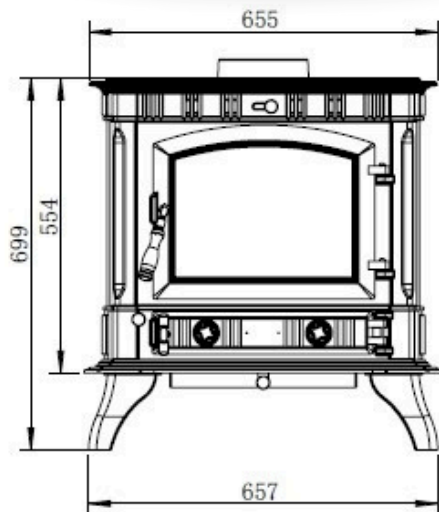


SM01

The classic design of this model, coupled with its large decorative glass door, makes it an excellent choice for spacious areas. With an impressive output of up to 18kw, it promises to keep even the largest rooms warm. The cast iron combustion chamber's ability to absorb and radiate heat ensures sustained warmth long after the fire has ceased. Additionally, the option for a rear outlet adds to its aesthetic appeal, making it a stylish centerpiece in any room

Rear Outlet Available



| | |
|--|-----------------------|
| | 12-14KW |
| | 100-180m ³ |
| | 153kg |
| | 673mm |
| | 700mm |
| | 470mm |
| | 150mm |

The SM01 is a highly efficient and well-designed unit, with its dual preheated air intake system providing optimal combustion. The integration of a third intake through the ashpan adds to its efficiency. The preheated primary air ensures thorough combustion, while the secondary air, heated at the top of the unit, acts as an effective air-wash system to keep the viewing glass clear. With an impressive efficiency rating of 78% and low CO₂ emissions of 0.12%, it's not only environmentally friendly but also cost-effective to operate. The inclusion of a rear outlet and shaker grate further enhances its functionality and convenience